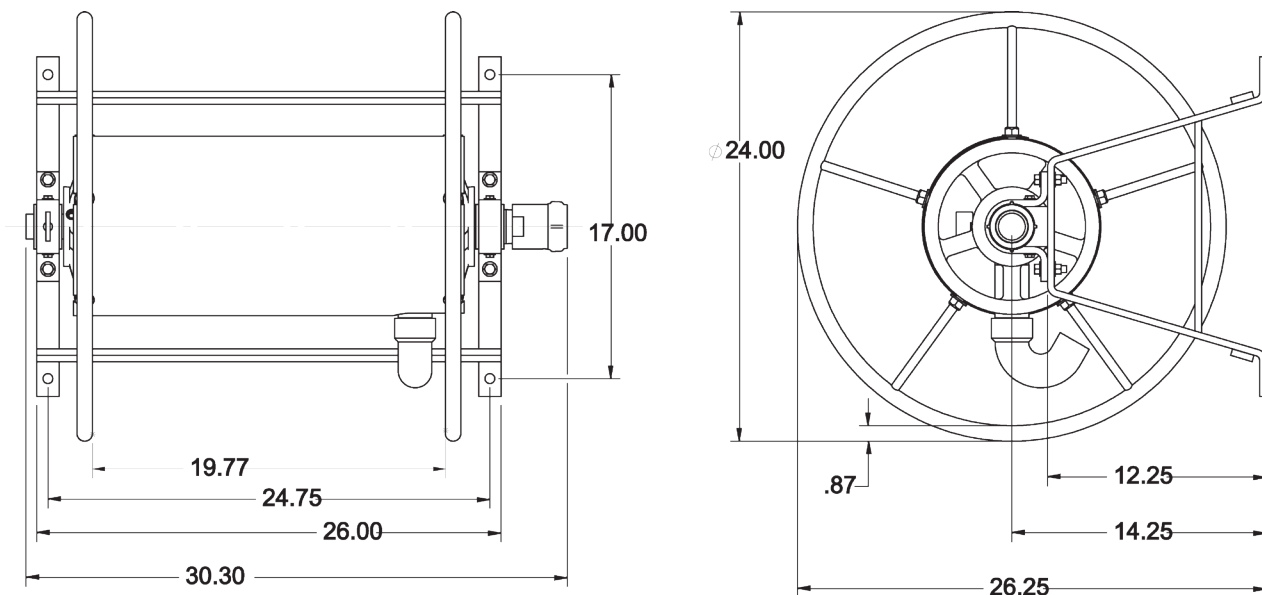


**Global Continuous Flow Reels**

Hose & Tubing



**Features:**

- greaseless swivel and reel bearings improve performance
- optional adapters (order separately):  
 FM15S15F = 1½" FNPSH x 1½" MNST brass  
 FM1515F = 1½" FNPT x 1½" MNST brass
- replacement inlet swivel joints at bottom of page



Hose Size and Capacity			Inlet Size	Outlet Size	Steel Part #
¾"	1"	1½"	1½" NPT	1½" NPT	<b>FD47IR-150-100</b>

**Cover for Global Continuous Flow Hose Reel**



Cover for	Dimensions	Part #	Vinyl
FD47IR-150-100	22" x 24" x 24"	<b>FD47-C2</b>	

**Replacement Inlet Swivel Joint for FD471-150-100**



**Features:**

- ball-bearing swivel
- requires no lubrication
- **200 PSI**

Size	Cast Brass Part #
1½"	<b>CSSF150T</b>